



Smith & Loveless Inc.
Above All Others.

PISTA® PRO-PAK™

Weather & Freezing Protection for the PISTA® TURBO™ Grit Pump



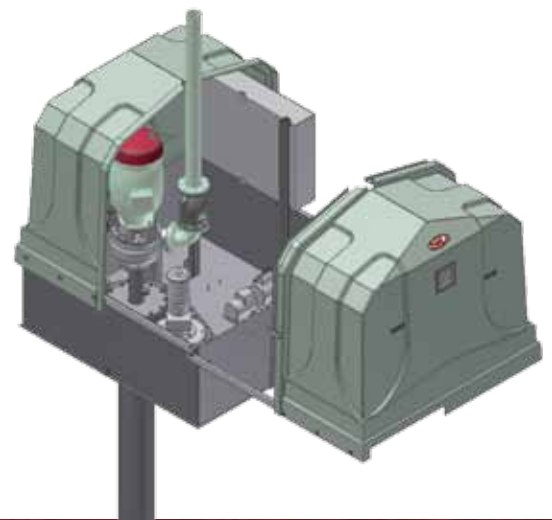
- Weather Protection for PISTA® TURBO™ Grit Pump
- Economical Alternative to Building a Housing Structure
- Factory-Assembled & Pre-Wired

Further enhancing the world's best grit removal scheme in a weather-protected, factory-assembled package, Smith & Loveless introduces the **PISTA® PRO-PAK™**. The custom-engineered **PISTA® PRO-PAK™** features a factory-assembled **PISTA®** drive assembly, vacuum priming system and controls mounted to a steel base and housed within a retractable fiberglass enclosure. The drive motor, pump and related components are factory pre-wired and mounted to the base, all to minimize and expedite field installation.

The **PISTA® PRO-PAK™** is a cost-saving alternative to a building, while still offering weather and freeze protection. As with all Smith & Loveless products, the patent pending **PISTA® PRO-PAK™** delivers the lowest life-cycle costs, is made in the USA, and all the equipment comes housed in an enclosure to provide you with years of dependable service.

PISTA® PRO-PAK™ Advantages

- Weather protection for Top-Mounted PISTA® TURBO™ Grit Pump
- Alternative to building a housing structure, at a fraction of the total cost
- Above grade components are factory-assembled & mounted to base
- NFPA 820 compliant
- Easier to maintain than typical installations (no heat tracing required)
- Optional heater offers protection for even the harshest environments
- Four material finishes available, including **DURO-LAST®** corrosion-resistant stainless (with 25-year warranty)



Bulletin 990 © Smith & Loveless Inc., 2012